

247 Rotary Latch

Features

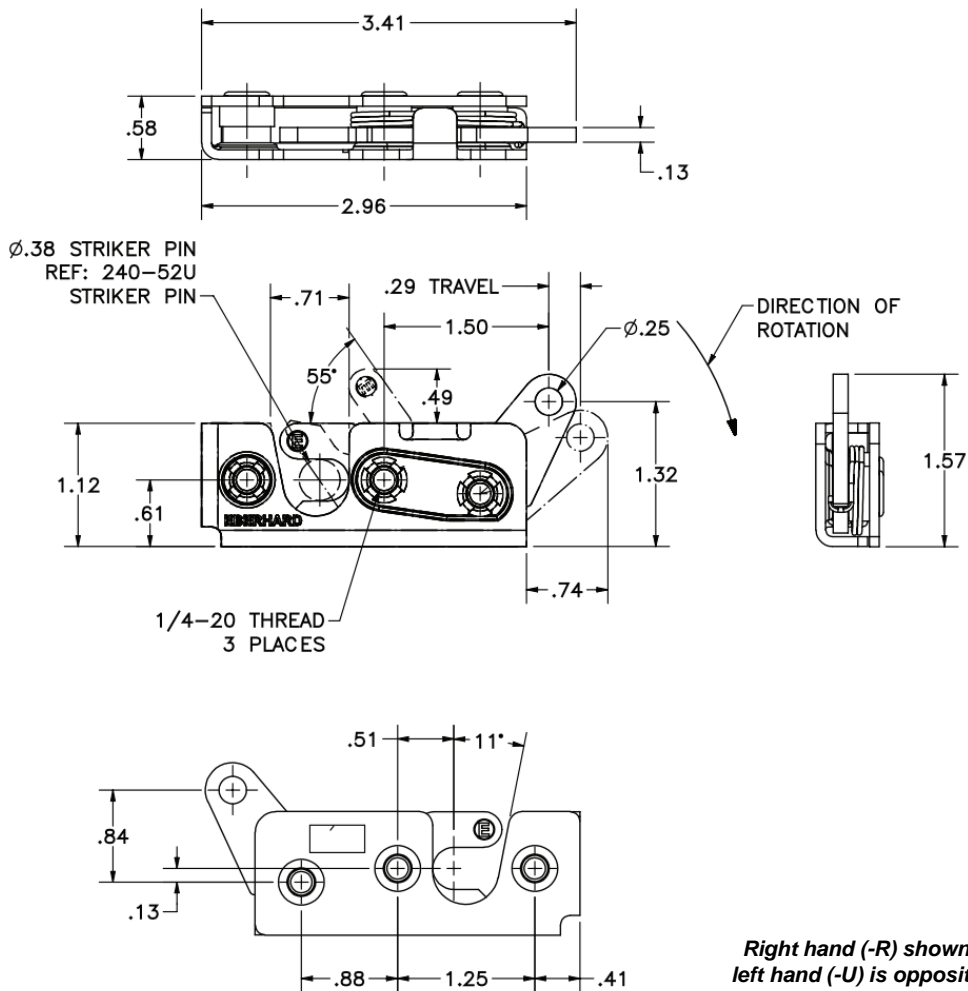
- Single stage rotary latch with rear release lever
- Three threaded or non-threaded mounting holes
- Heavy spring
- .375" dia striker design
- Maximum rated load strength of 750 lbs

Material

- Steel, zinc plated

Notes

- Striker sold separately



Right hand (-R) shown,
left hand (-U) is opposite

Part No.	Type
8-247-BR-54	Right Hand
8-247-BL-54	Left Hand

Dimensions in inches